

18-Inch Automatic Ice Maker



Stainless Steel with Black Cabinet
KUIC18NNX

Max Ice Mode

Max Ice increases ice production from 32 to 50 pounds of ice every 24 hours. When Max Ice is selected, ice is produced 75% faster, giving you an ongoing supply of ice that's ideal when entertaining.

35-Lb. Storage Capacity

With a large capacity of 35 pounds, there's an ample supply of ice at all times.

Interior Light with Ice Scoop

Lighted bin with ice scoop provides a well-lit interior and greater ease of use.

Architect® Series II

KUIC18NNX

KUIC18PNX – Factory-Installed Drain Pump

Performance

- Up to 50-Lb. Production Rate per 24 Hours
- 35-Lb. Storage Capacity
- Max Ice Mode
- Hidden Electronic Controls
- Service Indicator Light
- Clean Indicator Light
- Clear Ice
- Interior Light with Ice Scoop
- Drop-Down Door

Craftsmanship & Design

- Freestanding or Built-In Installation
- Adjustable Leveling Legs
- Factory-Installed Drain Pump (Model KUIC18PNX)
- Accepts Optional Accessory Drain Pump – Part No. 1901 (Model KUIC18NNX)
- UL/CSA Approved
- NSF Approved

Color

- Stainless Steel with Black Cabinet (S)



FOR THE WAY IT'S MADE.®

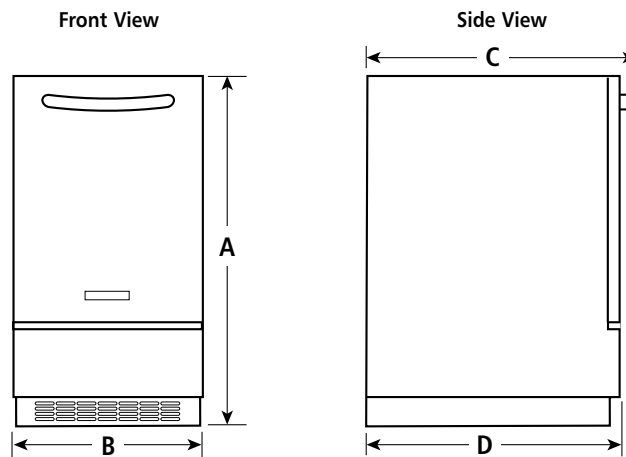
18-Inch Automatic Ice Maker

KUIC18NNX, KUIC18PNX

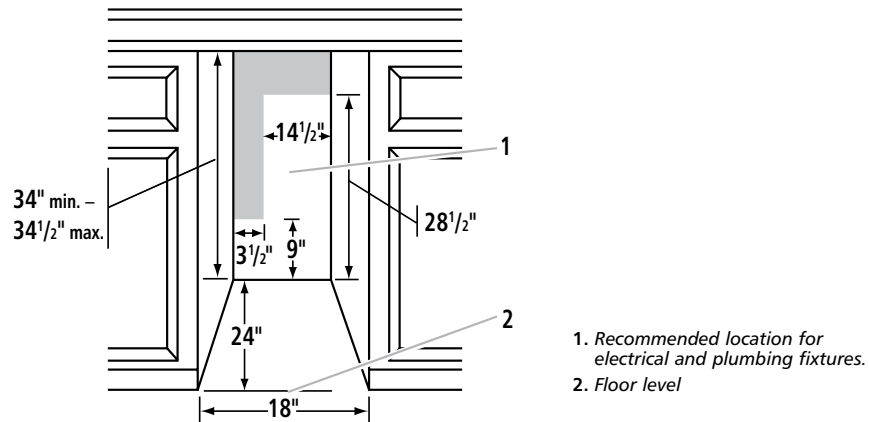
PRODUCT DIMENSIONS – shown in inches

MODEL NO.	HEIGHT* (A)	WIDTH (B)	DEPTH (including handle) (C)	DEPTH (D)
KUIC18NNX KUIC18PNX	33 ⁷ / ₈ min. – 34 ³ / ₈ max.	17 ⁷ / ₈	25 ⁵ / ₈	23 ¹ / ₂

*Leveling legs fully extended.



CUTOUT DIMENSIONS – shown in inches



Dimensions are for planning purposes only. For complete details, see Installation Instructions packed with product. Specifications subject to change without notice.

For additional information about KitchenAid® appliances, visit KitchenAid.com or call the Customer Experience Center at 800-422-1230. We'll help you select the ideal model, answer questions about appliance operation and performance, and give you a point of contact should you ever need service.

KitchenAid®
FOR THE WAY IT'S MADE.™

®Registered trademark/™Trademark/the shape of the stand mixer is a registered trademark of KitchenAid, U.S.A.
©2010. All rights reserved.

KitchenAid • Benton Harbor, Michigan 49022 U.S.A.

(29802RC0910)
Printed in U.S.A.